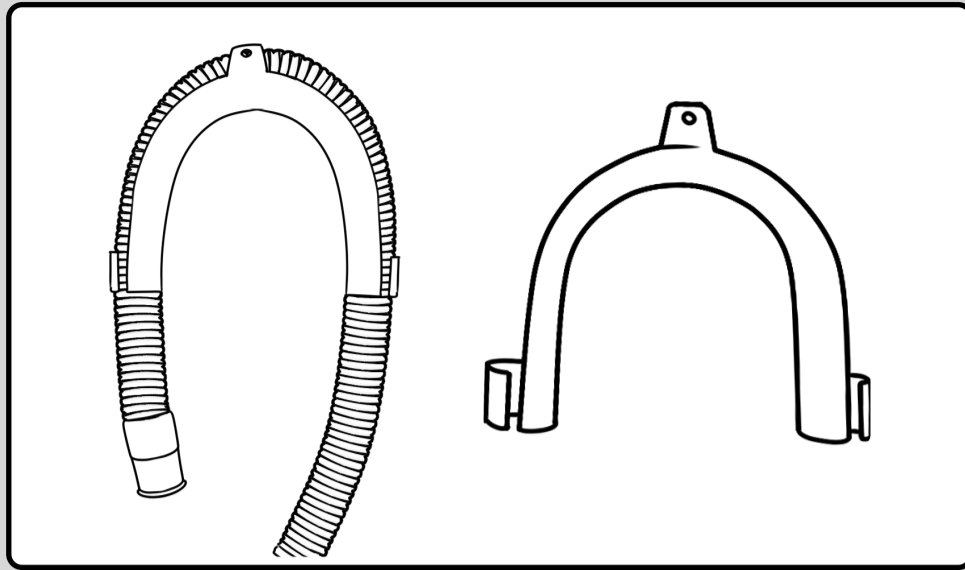
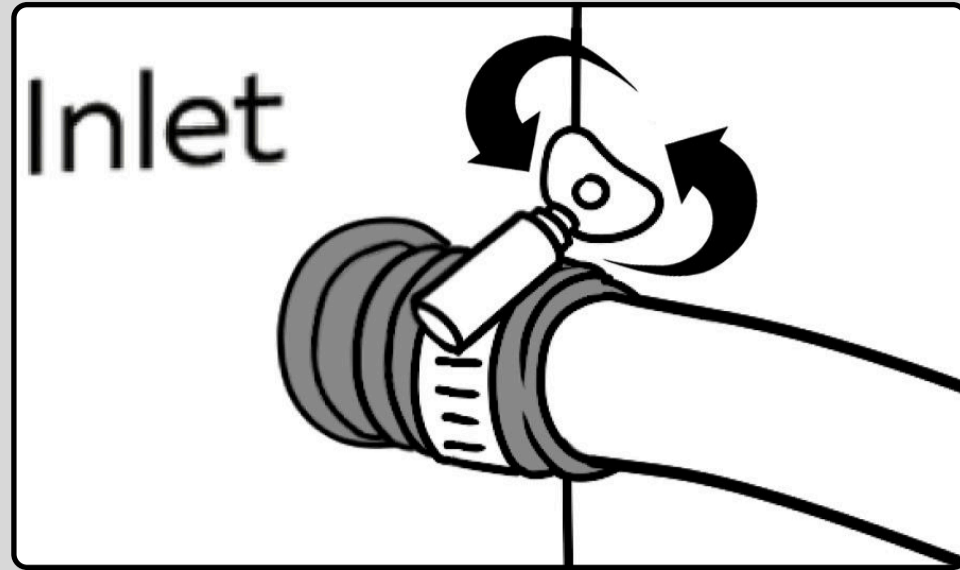


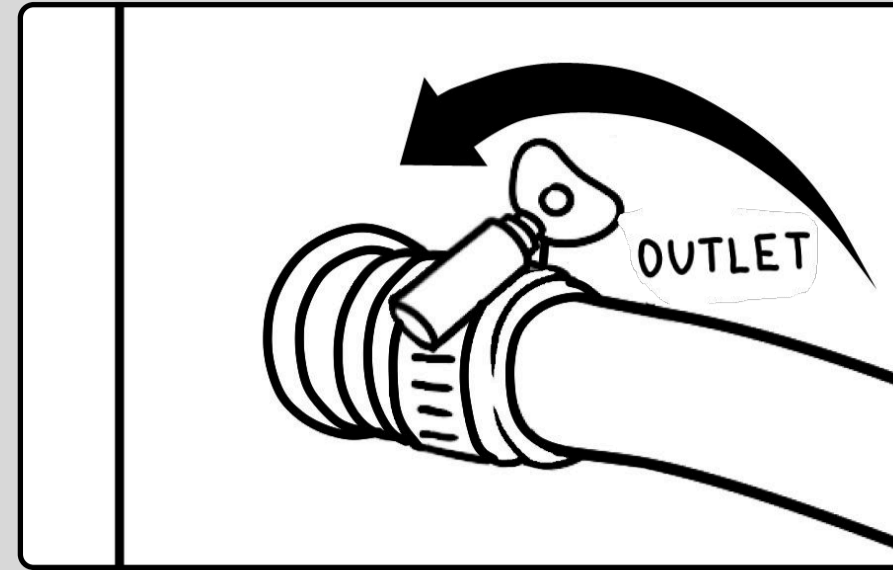
Step 1: Remove U-shaped Guide from your washing machine drain hose (if applicable)



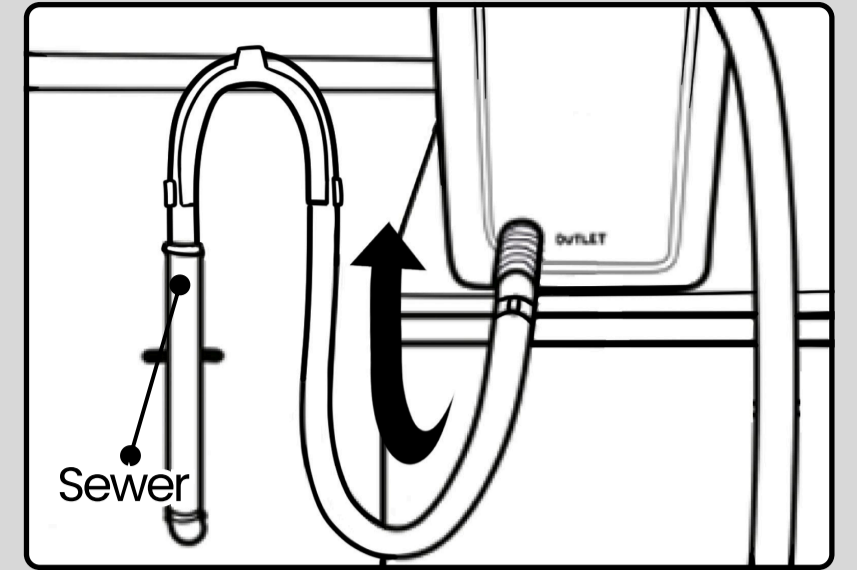
Step 2: Install washing machine drain hose on gray "inlet" to your Filter, using a hose clamp



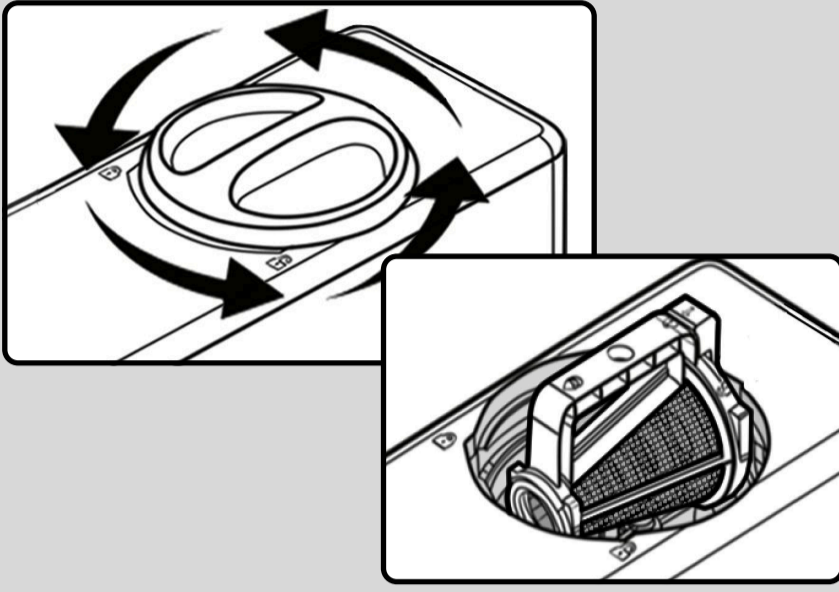
Step 3: Install CLEANR provided hose on the white "outlet" of your Filter, using a hose clamp



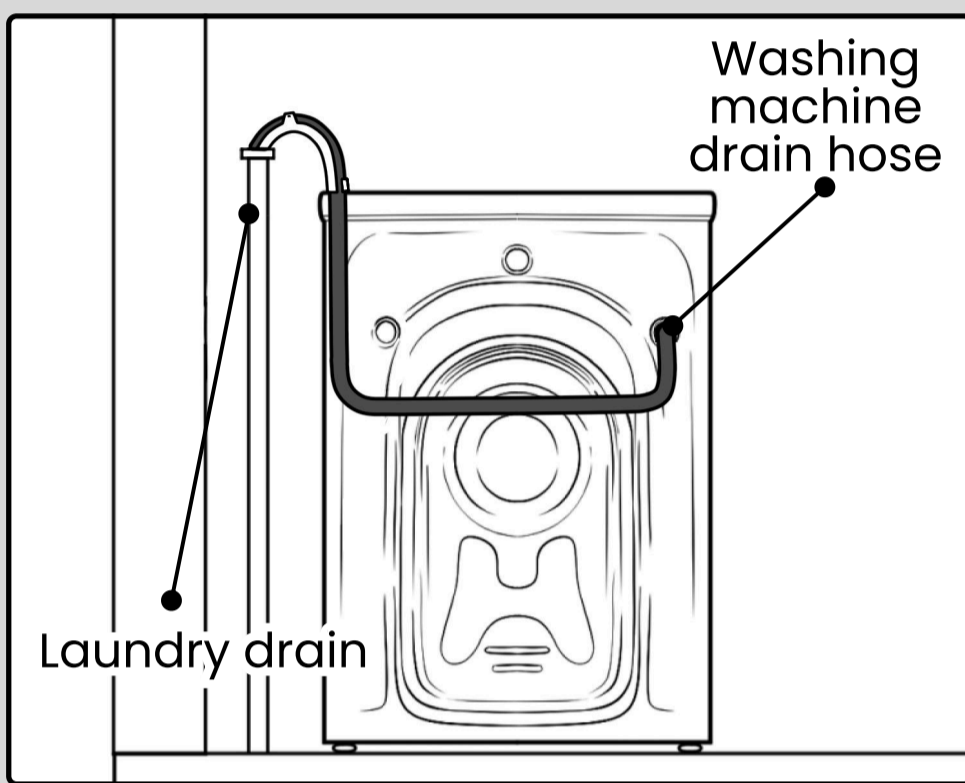
Step 4: Re-attach the U-shaped Guide and route the drain to your sewer



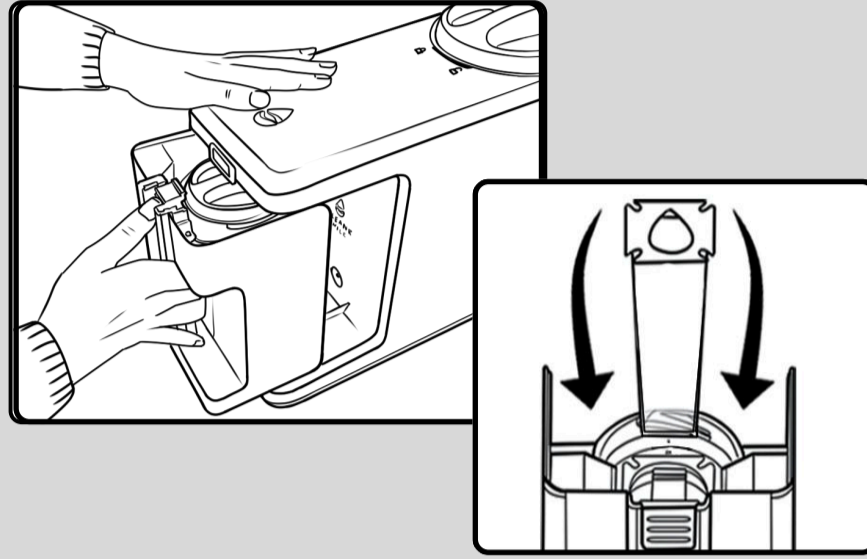
Step 5: Install VORTX in the Filter chamber



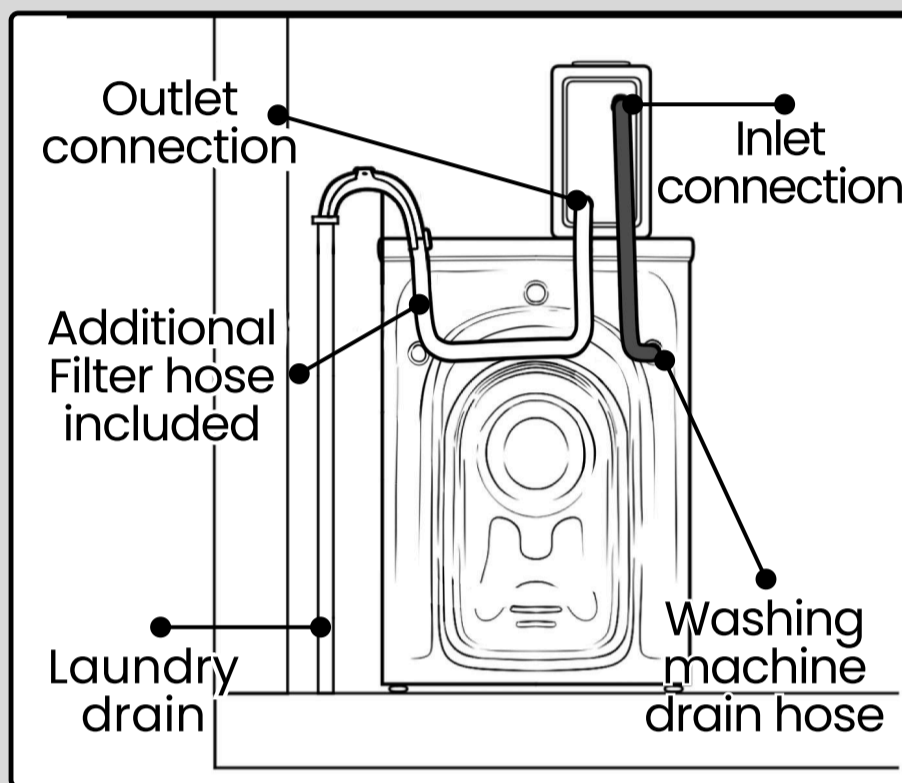
Before



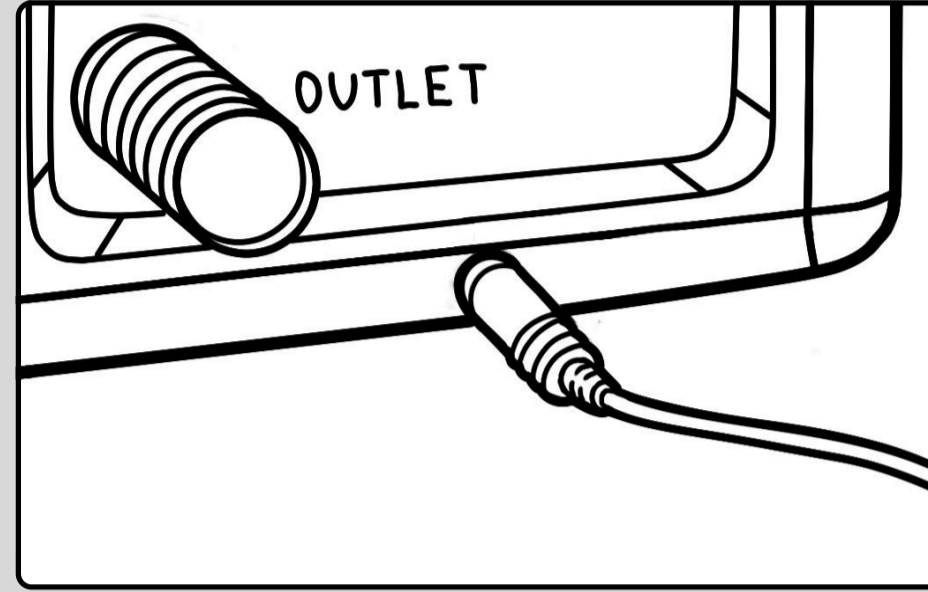
Step 6: Install Pod into the canister



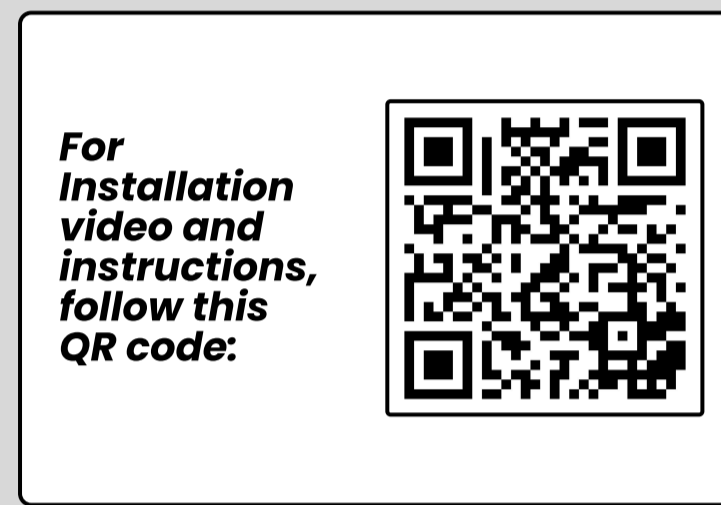
After



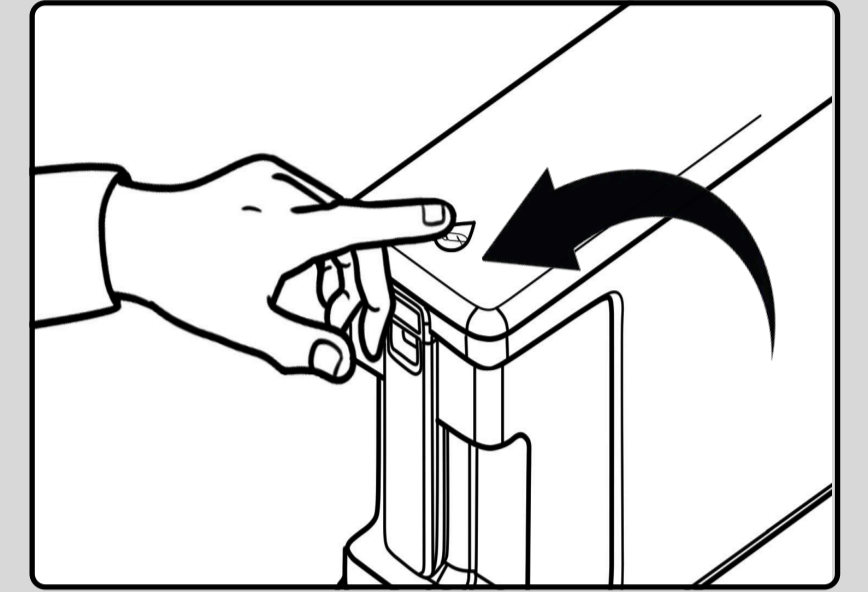
Step 7: Plug in & turn on your CLEAR Filter - Ensure both hoses and all Filter components are securely in place.



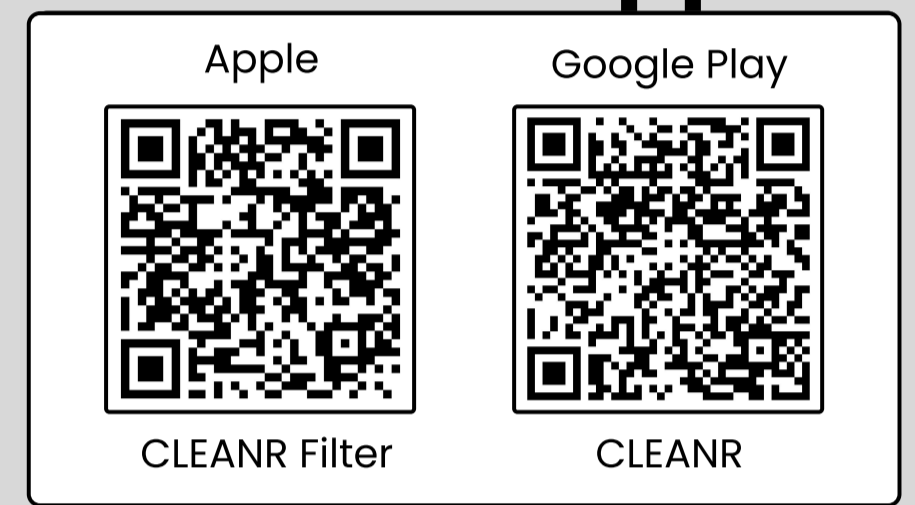
Installation



For Installation video and instructions, follow this QR code:



CLEANR App



If your washing machine hose does not fit on your Filter OR your Filter will be running on the floor, please see User Guide Installing Your Filter (Page 8).

This Quick Reference Card is provided for the use and maintenance of your Filter.

Refer to the User Guide for detailed information on the installation of your Filter and for detailed instruction on the use and maintenance of your Filter.

Filter Status Indications Key

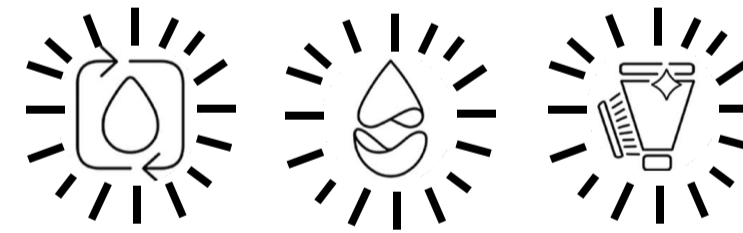
Filter Startup

The Status lights each turn SOLID WHITE from left to right in succession as your Filter runs its startup routine.



Filter Connecting

The Status lights BREATHE WHITE as your Filter connects to your smartphone via Bluetooth.



The Pod Status Light appears as...

SOLID YELLOW



- when the Pod needs to be removed and replaced with a new one; replace the Pod only after the current washing machine cycle is complete.

BLINKING YELLOW



- when either the Canister or Canister Lid has been removed (for example, when they are removed in order to change the Pod)
- or when either the Canister or the Canister Lid is not fully locked into place.

The Water Drop Status Light appears as...

SOLID BLUE



- when your Filter is in normal status.

The Sleeve Status Light appears as...

SOLID YELLOW



- when the VORTX needs to be cleaned; clean the VORTX only after the current washing machine cycle is complete.

BLINKING YELLOW



- when either the VORTX or the Top Lid has been removed (for example, when they are removed to clean the VORTX)
- or when either the VORTX or the Top Lid is not fully locked into place.

How to Change the Pod

see inside of this card

How to Clean the VORTX

see inside of this card

Quick Installation Guide

see back of this card

Troubleshooting

see the Troubleshooting section of the User Guide

Support

Email: support@cleanr.life

Support Page: www.cleanr.life/support



Scan for Support



How to Change the Pod



Change the CLEANR Pod ONLY in between washing machine cycles, with the washing machine powered off.

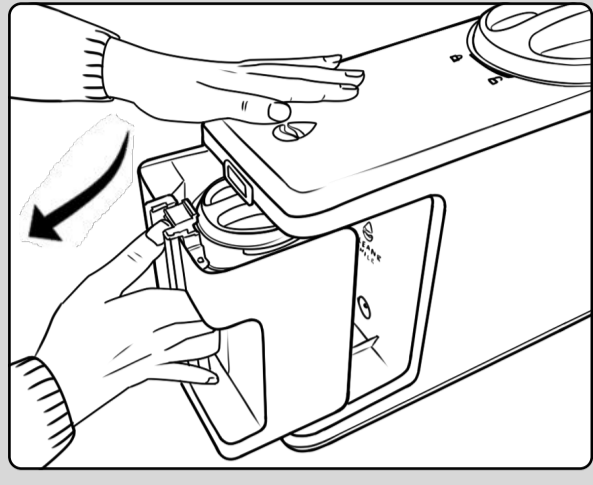


When changing the CLEANR Pod, it is recommended to wear gloves to avoid bacteria contamination from your filtered material.

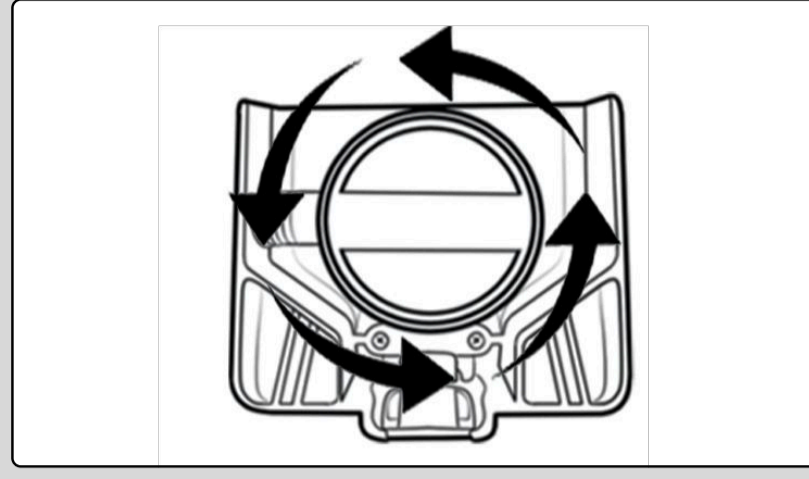
For a video of how to change the Pod, follow this QR code:



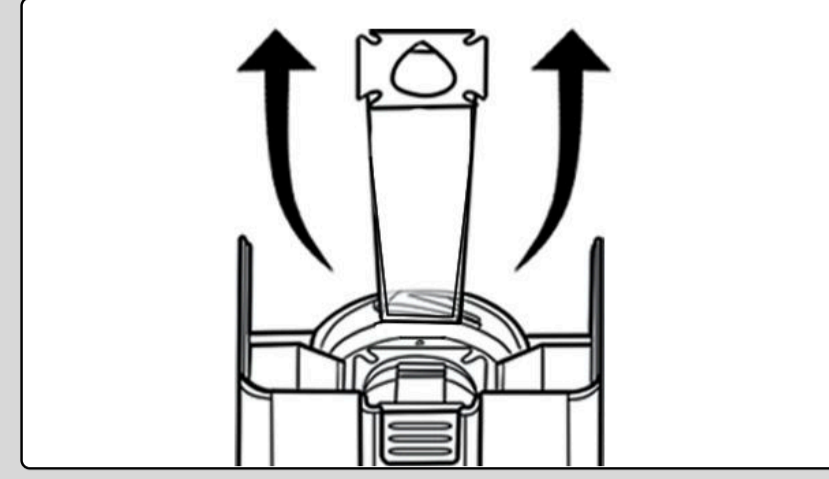
1. Remove the used Pod



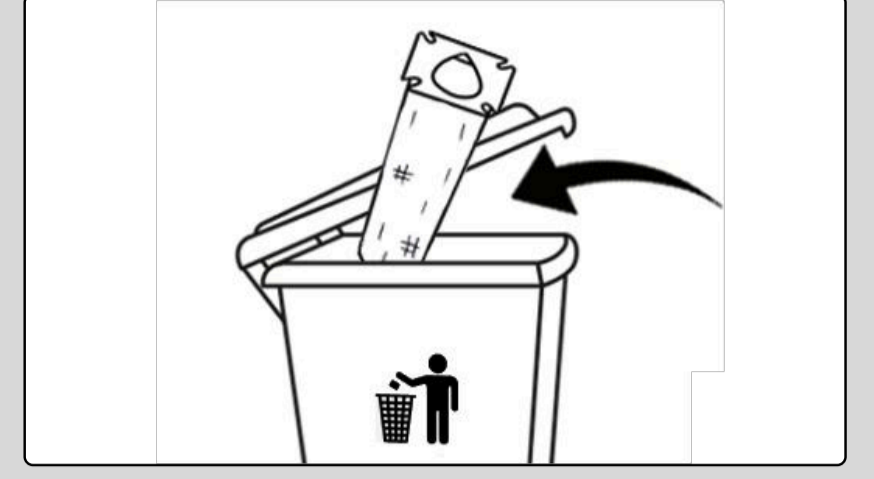
1a. Remove the Canister from the Filter. When the Canister is removed, the Pod Status Indicator will blink yellow.



1b. Twist off the Canister Lid.

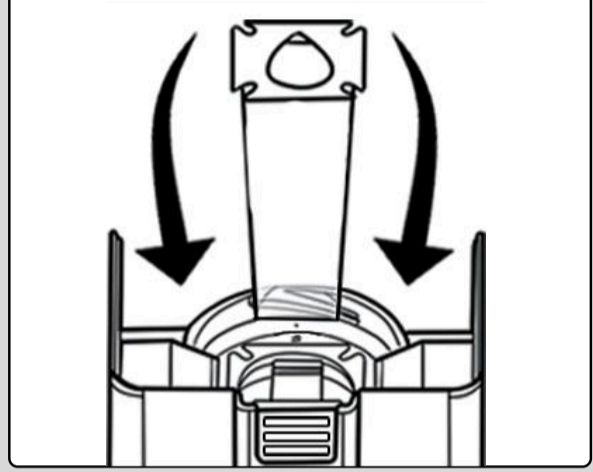


1c. Remove the used CLEANR™ Pod from inside the Canister. If the Pod has residual water in it, you can dispose of it in the trash or leave it in the canister to drain.

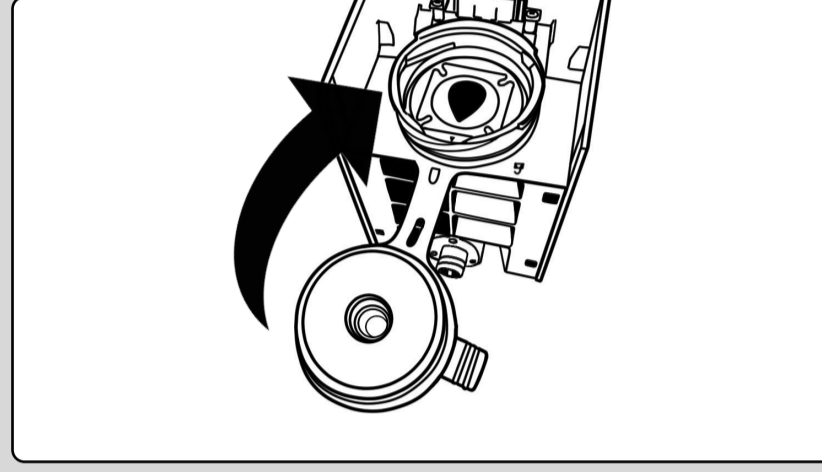


1d. Dispose the used Pod in a trash receptacle. **Do not rinse the captured material from the Pod down the sink.**

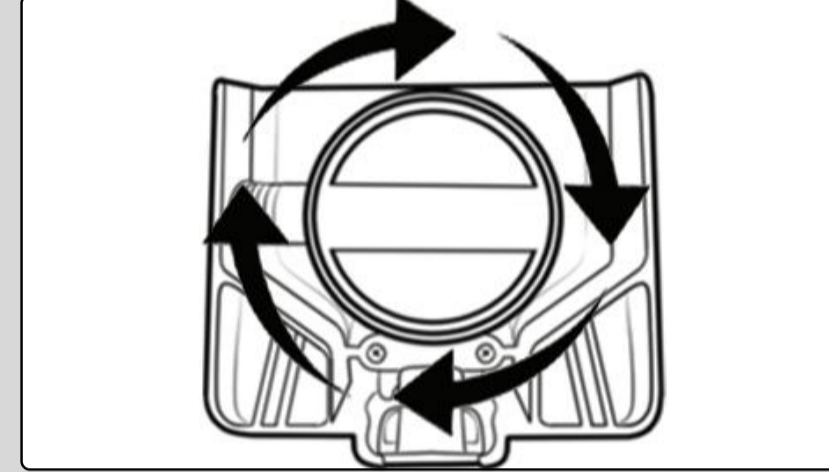
2. Insert a new Pod



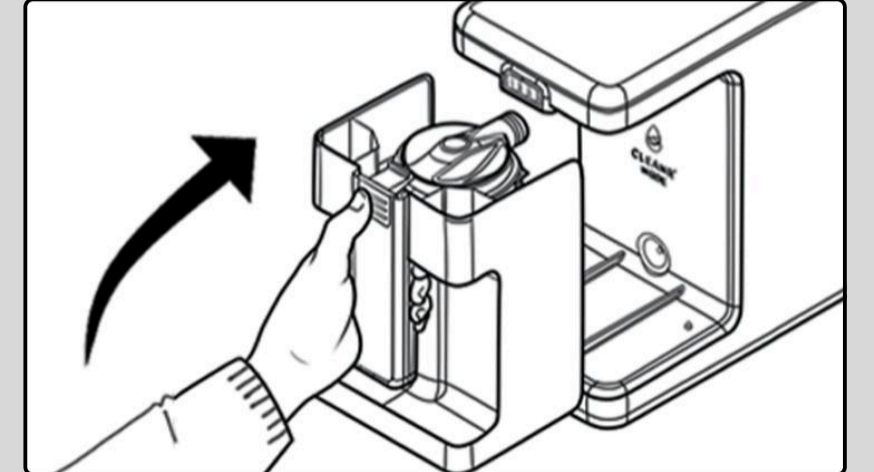
2a. Fit a new Pod into the Canister.



2b. Put the Canister Lid back onto the Canister, with the alignment indicator on the Canister Lid pointing to the LOCK symbol on the Canister and the Canister Lid will not turn any further.



2c. Turn the Canister Lid clockwise until the alignment indicator on the Canister Lid points to the LOCK symbol on the Canister and the Canister Lid will not turn any further.



2d. Push the Canister back into place on the front of the Filter until it locks into place. When the Canister Lid is on and the Canister is fully locked into place, the blinking yellow Pod Status Indicator will turn off.



How to Clean the VORTX



Clean the VORTX ONLY in between washing machine cycles, with the washing machine powered off.

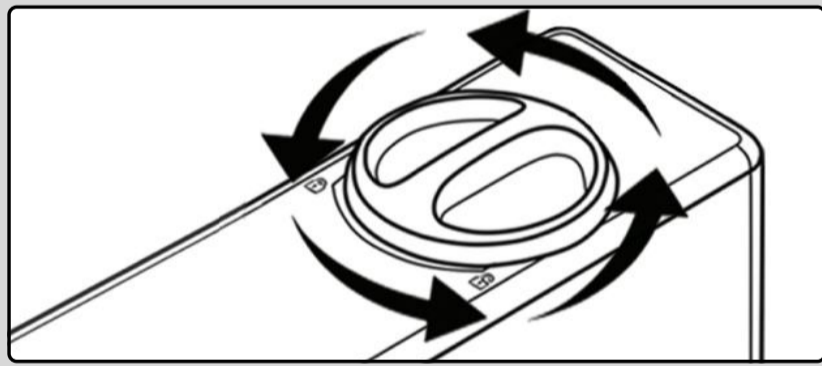


When cleaning the VORTX, it is recommended to wear gloves to avoid bacteria contamination from your filtered material.

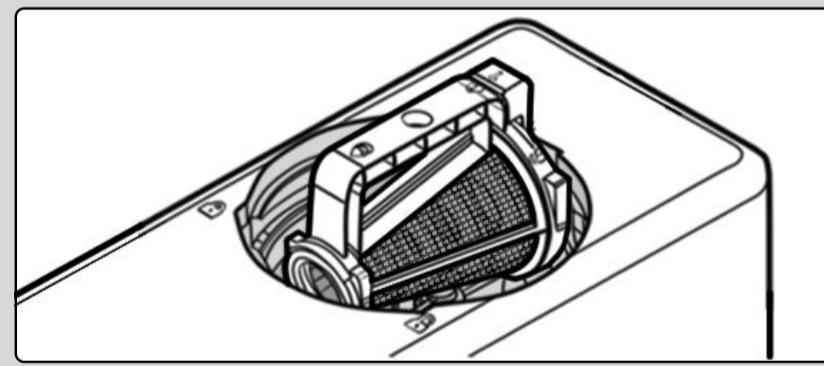
For a video of how to clean the VORTX, follow this QR code:



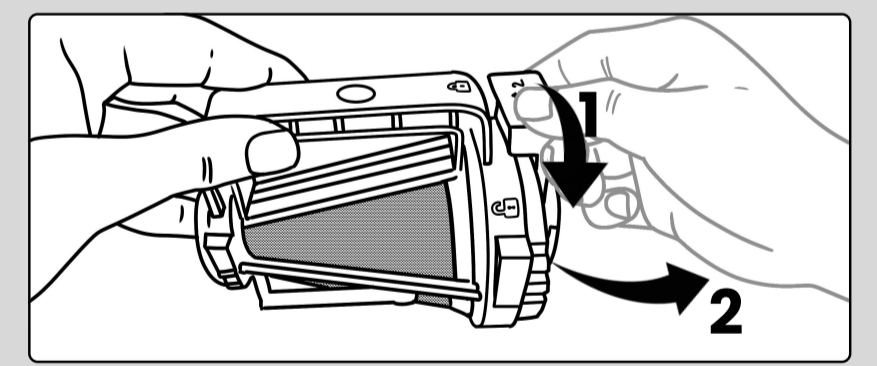
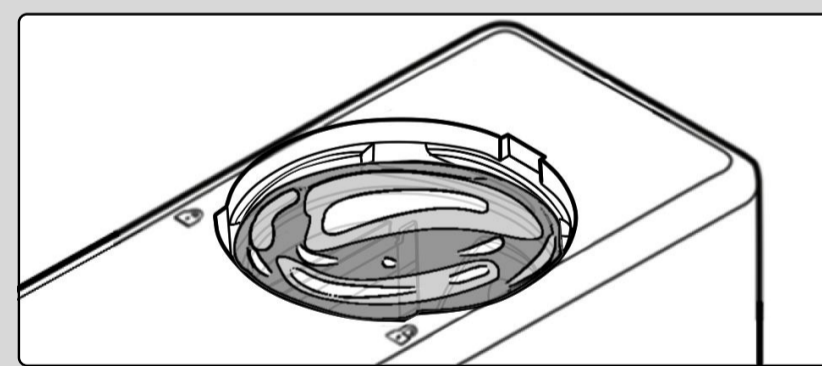
1. Remove the VORTX



1a. Remove the Top Lid from the Filter. The Sleeve Status Icon will blink yellow.

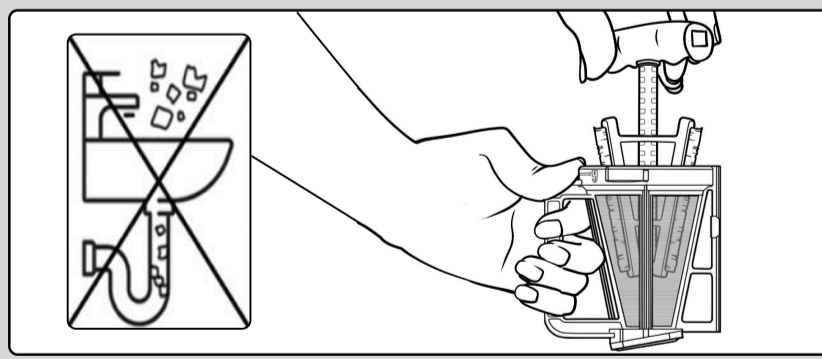


1b. Remove the VORTX from the Filter. It is normal to see water in the Filter chamber.

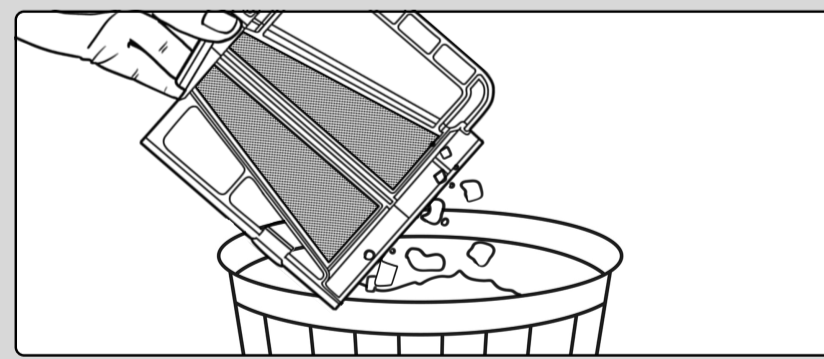


1c. Slide the Spiral tab from the LOCK to the UNLOCK symbol, then pull the Spiral and Sleeve apart.

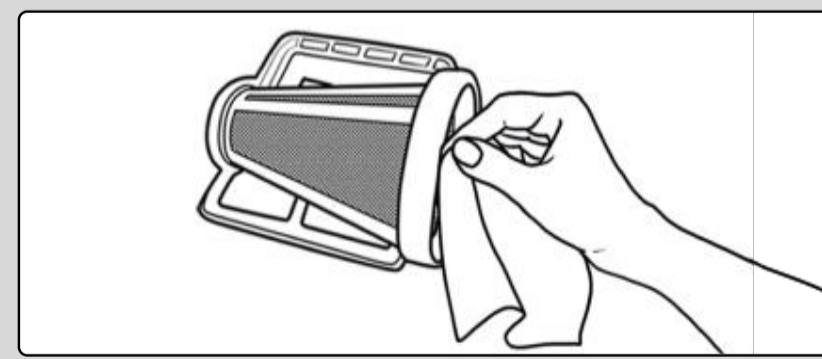
2. Clear Away the Residue



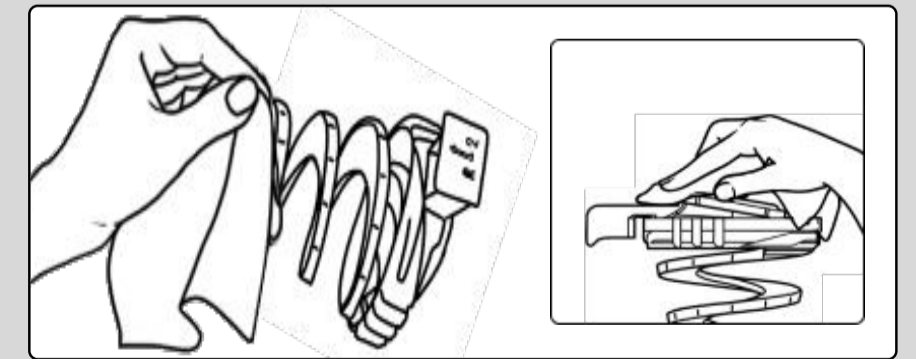
2a. Brush the inside of the Sleeve. May need to do additional times if heavy covering of microplastics / debris.



2b. Tap the brushed Sleeve gently a few times on the side of the trash can to remove loose debris.

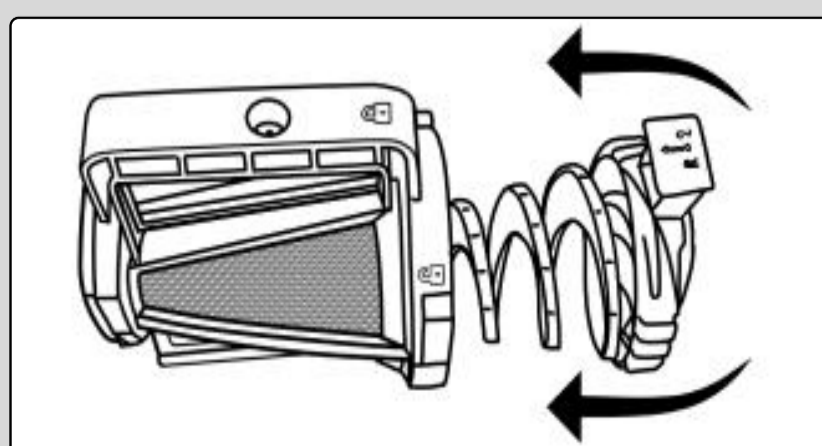


2c. Wipe inside and outside of the Sleeve with a paper towel.

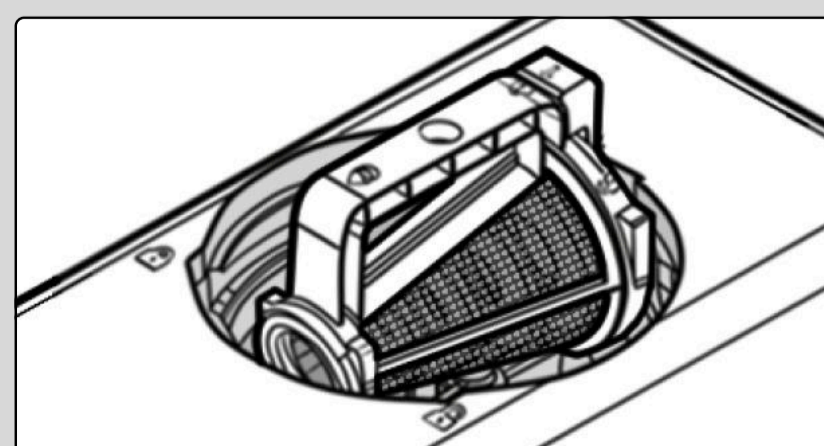


2d. Wipe the Spiral and Spiral rim with a paper towel.

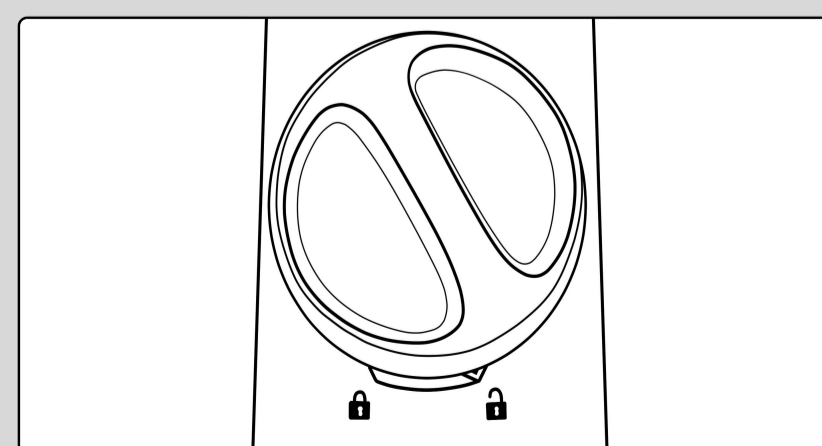
3. Re-insert the VORTX



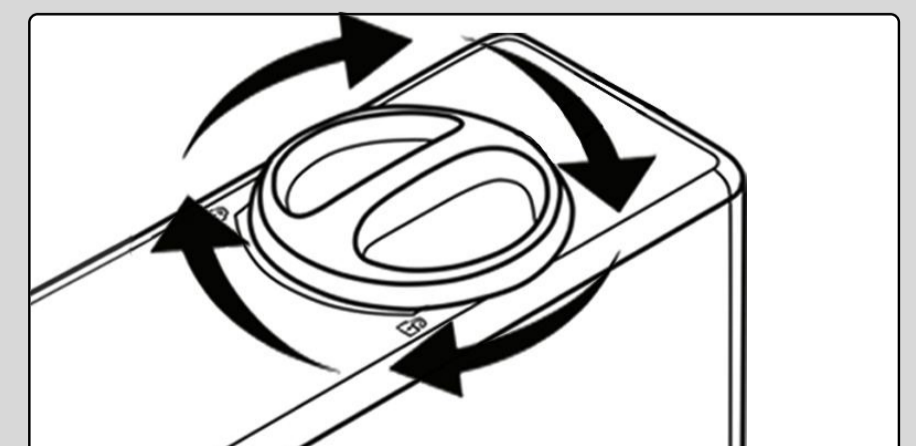
3a. Insert the Spiral into the Sleeve and slide the Spiral tab from the UNLOCK to the LOCK symbol on the rim of the Sleeve.



3b. Place the VORTX assembly back into the Filter chamber.



3c. Fit the Top Lid into place on top of your Filter, pointing the alignment indicator to the UNLOCK symbol on the top of the Filter.



3d. Turn the Top Lid clockwise, following the indicator from unlocked to locked. The blinking yellow Sleeve Status Icon will turn off.